

## LOST PROFILE - SPECIFICATION SHEET - **PYRE 2 PENDANT**

Tubes of frosted glass at varying lengths  
break free from their brass cages.  
PYRE is inspired by the exploding sparks of a  
Blacksmith's hammer.



# LOST PROFILE - SPECIFICATION SHEET - PYRE 2 PENDANT

PRODUCT	DIMENSIONS (mm)	WEIGHT (kg)	VOLTAGE (v)	WATTAGE (w)	DRIVER	LED COLOUR TEMP	SURFACE FINISHES
PYRE 2 PENDANT	2415 X 1050 X 990	15	12VDC	10W	12V 25W 0-10V DIMMABLE	WARM WHITE 2700K	STD, CUSTOM, DELUXE

Clear enamel & powder coated finishes available on request (Add 10%)  
Standard (STD) surface finishes: Blonde Brass & waxed, Aged Brass & waxed, Dark Bronze & waxed  
Custom surface finishes: Copper, Nickel, Chrome, Black Chrome electroplating (Add 20%)  
Deluxe surface finishes: Polished brass, Gold, Rose gold, Silver electroplating (Add 30%)

## MATERIALS

Brass, Glass, LED.

## MAINTENANCE

All LOST PROFILE metal surfaces are waxed. These metal surfaces are designed to age and patinate. Wear gloves when handling to avoid hand prints. Clear enamel coating is available on request. Enamelling does not stop the patination process, it just slows the process down.

## RODS & CEILING CANOPY

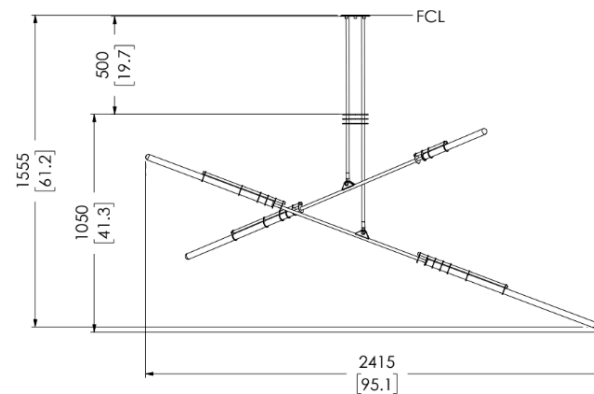
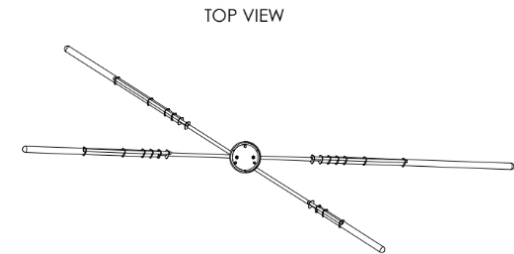
LOST PROFILE offers rods at four lengths (mm): 250, 500, 750, 1000.  
 2 rods are included in the price of each PYRE 2 PENDANT, additional rods are extra.  
 PYRE 2 is supplied with 1 x 150mm Round Flush Canopy

## DRIVERS & DIMMING

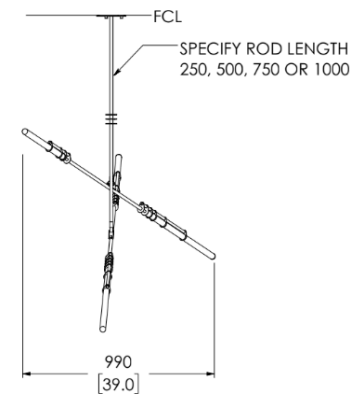
LOST PROFILE products are supplied with 0-10V dimmable LED drivers.  
 LOST PROFILE do not supply 0-10V rotary switches or wall plates.  
 Talk to your electrician about sourcing these items.  
 The location of the driver needs to be considered, whether in a ceiling cavity, in a wall cavity, or ideally in an accessible electricals cabinet.

## PRICING & LEAD TIMES

Please contact us or your nearest LOST PROFILE representative for current pricing and lead times.



FRONT ELEVATION



SIDE ELEVATION

