

LOST PROFILE - SPECIFICATION SHEET - **ALTUS HALL TABLE 1120**



Altus Table is inspired by Fransisco Sobrino's optical art sculptures of the late 20th Century, as well as Arts & Crafts architecture.

LOST PROFILE - SPECIFICATION SHEET - ALTUS HALL TABLE 1120

PRODUCT	DIMENSIONS	WEIGHT (kg)	MATERIALS	SURFACE FINISHES
ALTUS HALL TABLE 1120	1120 L x 380 W x 900mm H 44" L x 15" W x 36" H	40kg	Brass, Aluminium, Stone	STD
Clear enamel & powder coated finishes available on request (Add 10%) <u>Standard (STD) surface finishes:</u> Blonde Brass, Aged Brass, Dark Bronze (these finishes are waxed)				

MATERIALS

Brass, Aluminium (substrate under stone), Four Seasons Quartzite (stone)

MAINTENANCE

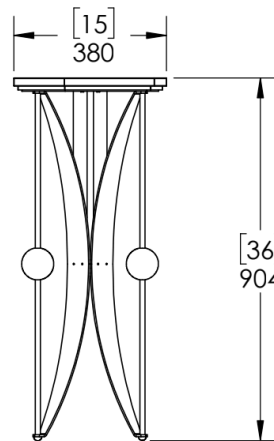
All LOST PROFILE metal surfaces are waxed. These metal surfaces are designed to age and patinate. Wear gloves when handling to avoid hand prints. Clear enamel coating is available on request. Enamelling does not stop the patination process, it just slows the process down.

PRICING & LEAD TIMES

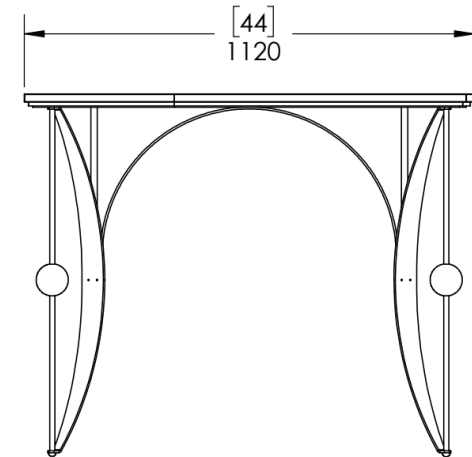
Please contact us or your nearest LOST PROFILE representative for current pricing and lead times.



TOP VIEW



SIDE VIEW



FRONT VIEW