

LOST PROFILE - SPECIFICATION SHEET - **ALTUS 1500 PENDANT**

Altus is inspired by Fransisco Sobrino's optical art sculptures of the late 20th Century, as well as Arts & Crafts architecture.



## LOST PROFILE - SPECIFICATION SHEET - ALTUS 1500 PENDANT

PRODUCT	DIMENSIONS (mm)	WEIGHT (kg)	VOLTAGE (v)	WATTAGE (w)	DRIVER	LED COLOUR TEMP	SURFACE FINISHES
ALTUS 1500 PENDANT	1520 H X 1420 DIA	45kg	12VDC	52W	12V 60W 0-10V DIMMABLE	WARM WHITE 3000K	STD
Clear enamel & powder coated finishes available on request (Add 10%) <u>Standard (STD) surface finishes:</u> Blonde Brass, Aged Brass, Dark Bronze (these finishes are waxed)							

### MATERIALS

Brass, glass, LED.

### MAINTENANCE

All LOST PROFILE metal surfaces are waxed. These metal surfaces are designed to age and patinate. Wear gloves when handling to avoid hand prints. Clear enamel coating is available on request. Enamelling does not stop the patination process, it just slows the process down.

### CHAIN & CEILING CANOPY

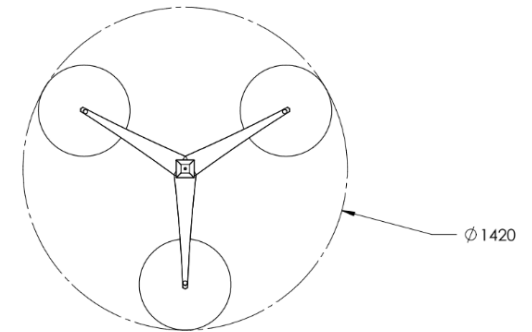
Overall drop of up to 2040mm is included in the price. Please specify drop length required upon ordering. Additional chain costs extra. The ceiling canopy is 100 x 100 x 300mm H

### DRIVERS & DIMMING

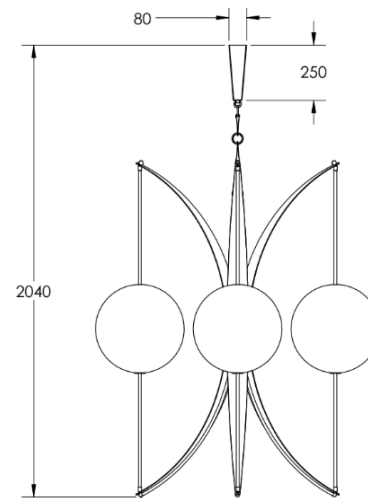
LOST PROFILE products are supplied with external 0-10V dimmable LED drivers. The housing location of the driver will need to be considered.

### PRICING & LEAD TIMES

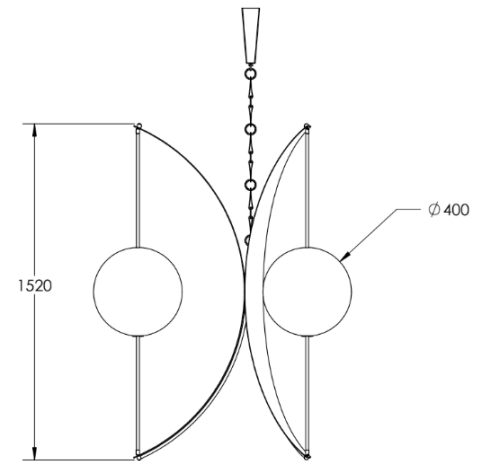
Please contact us or your nearest LOST PROFILE representative for current pricing and lead times.



PLAN VIEW



FRONT ELEVATION



SIDE ELEVATION

