

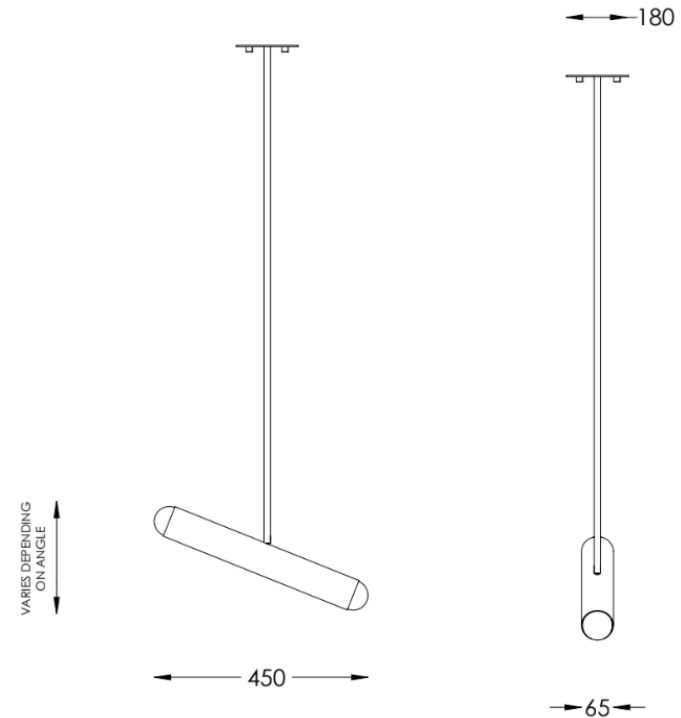
LOST PROFILE - SPECIFICATION SHEET - **SURVEILLANCE PENDANT**

Borrowing its silhouette from a modern day security camera, this dynamic spotlight is designed to cast a beam upon your most valued of treasures.



LOST PROFILE - SPECIFICATION SHEET - SURVEILLANCE PENDANT

PRODUCT	SURVEILLANCE PENDANT
DIMENSIONS (mm)	65 x 65 x 150mm
WEIGHT (kg)	2kg
MILLIAMPS (mA)	250mA
WATTAGE (W)	15W
DRIVER	Aus: 250mA AC-Dimmable USA: 250mA 0-10v Dimmable
COLOUR TEMP	WARM WHITE 2700K
BEAM ANGLE	35 degrees (approx.)
LUMENS	1200
CRI	>90
FINISHES	STD
Clear enamel & powder coated finishes available on request (Add 10%) Standard (STD) surface finishes: Blonde Brass, Aged Brass, Dark Bronze (waxed)	



MATERIALS: Brass, glass, LED.

MAINTENANCE: All LOST PROFILE metal surfaces are waxed. These metal surfaces are designed to age and patinate. Wear gloves when handling to avoid hand prints.

RODS & CEILING CANOPY: LOST PROFILE offers rods at five lengths (mm): 250, 500, 750, 1000, 1250mm. One rod is included in the price of each SURVEILLANCE PENDANT, additional rods are extra. Please consider the height of the fixture itself when selecting a rod. SURVEILLANCE PENDANT is supplied with 1 x Square Flush canopy, 180 x 180mm.

DRIVERS & DIMMING: SURVEILLANCE is supplied with a phase-dimmable LED driver. The location of the driver will need to be considered, whether inside the ceiling cavity, or in an accessible electricals cabinet.

PRICING & LEAD TIMES: Please contact us or your nearest LOST PROFILE representative for current pricing and lead times.

